

FOREST VIEW ESTATES

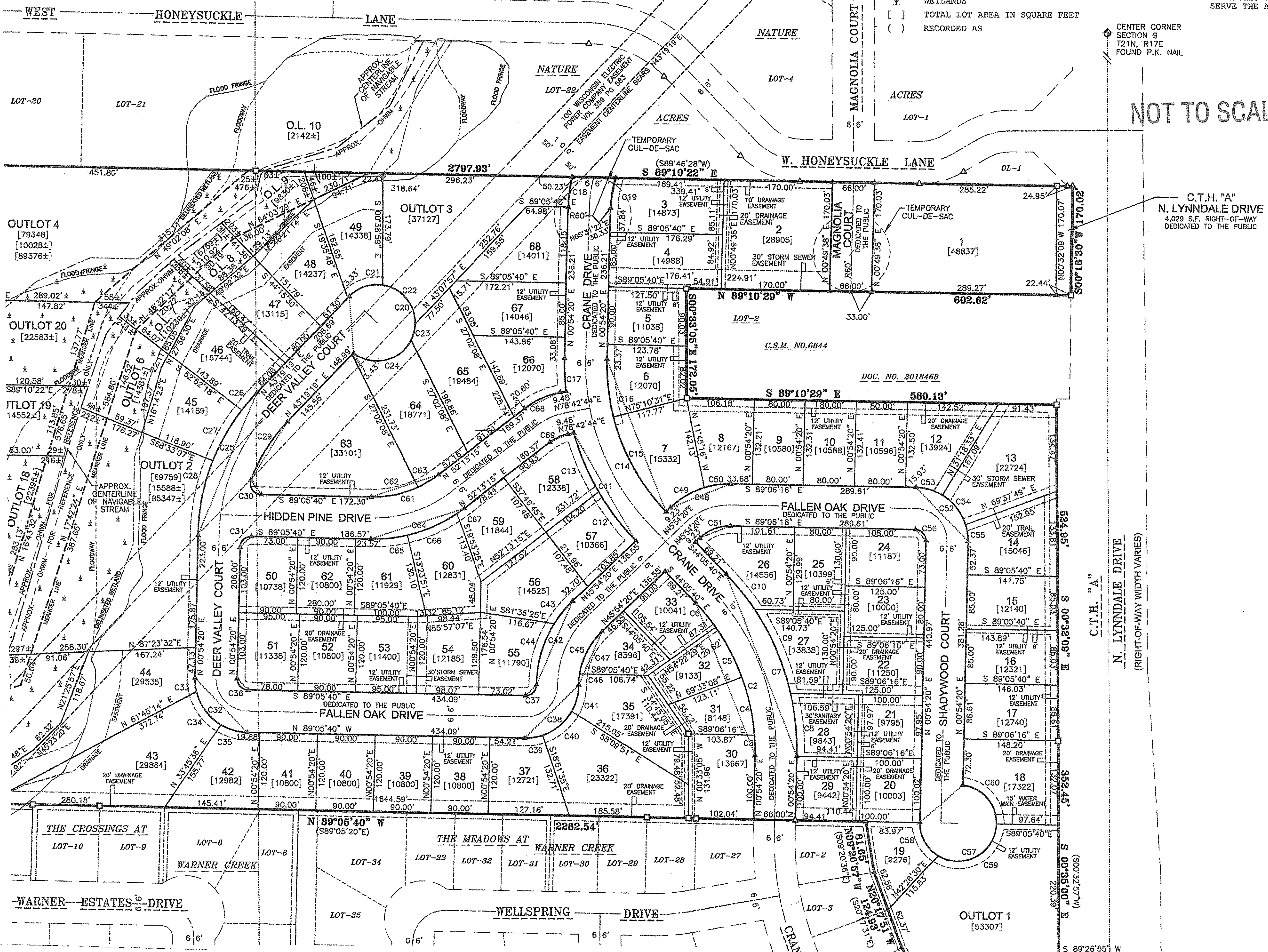
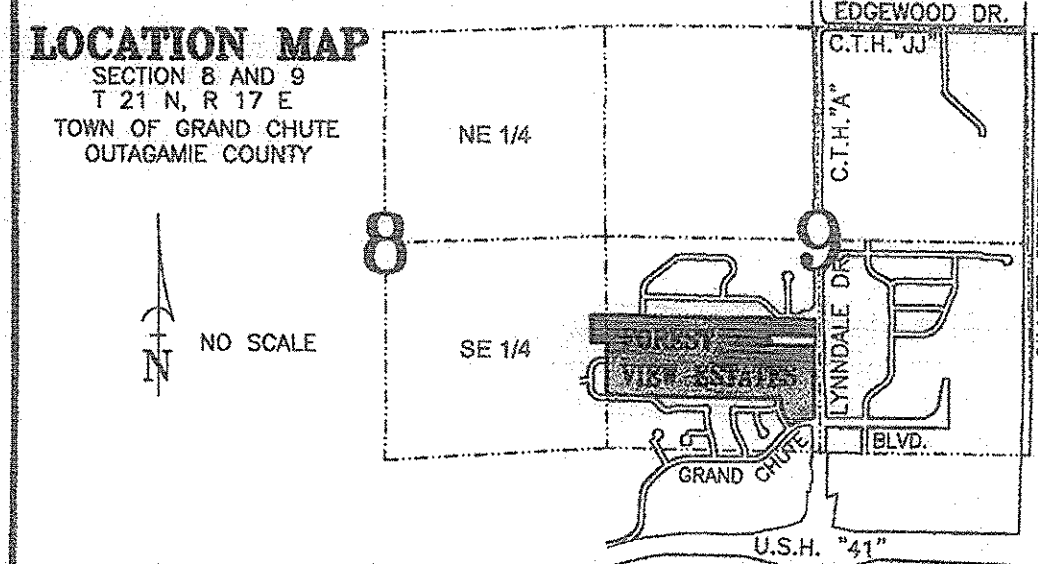
ALL OF LOT 1 OF CERTIFIED SURVEY MAP NO. 6945, LOCATED IN PART OF THE NORTHEAST 1/4 OF THE SOUTHWEST 1/4 OF SECTION 8; ALL OF LOT 1 OF THE MEADOWS AT WARNER CREEK, ALL OF LOTS 4 AND 3 CERTIFIED SURVEY MAP NO. 6844, LOCATED IN PART OF THE NORTHEAST 1/4 AND SOUTHWEST 1/4 OF THE SOUTHWEST 1/4 OF SECTION 9; PART OF THE NORTHWEST 1/4 AND SOUTHWEST 1/4 OF THE SOUTHWEST 1/4 OF SECTION 9; ALL IN TOWNSHIP 21 NORTH, RANGE 17 EAST, TOWN OF GRAND CHUTE, OUTAGAMIE COUNTY, WISCONSIN

BEARINGS ARE REFERENCED TO THE OUTAGAMIE COUNTY COORDINATE SYSTEM IN WHICH THE SOUTH LINE OF THE SOUTHWEST 1/4, SECTION 9, BEARING S 89°02'41" E

1" = 100'
SCALE IN FEET

- LEGEND**
- ▲ 1" O.D. ROUND IRON PIPE SET, 18" LONG, WEIGHING 1.13 LBS. PER LINEAL FOOT AT ALL OTHER LOT CORNERS
 - △ 1-1/4" O.D. ROUND REINFORCING BAR SET, 30" LONG WEIGHING 4.303 LBS. PER LINEAL FOOT
 - 1" O.D. ROUND IRON PIPE FOUND
 - ◇ GOVERNMENT CORNER
 - WETLANDS
 - [] TOTAL LOT AREA IN SQUARE FEET
 - () RECORDED AS

UTILITY EASEMENTS - NO POLES OR BURIED CABLES ARE TO BE PLACED SUCH THAT THE INSTALLATION WOULD DISTURB ANY SURVEY STAKE OR OBSTRUCT VISION ALONG ANY LOT LINE OR STREET LINE. THE DISTURBANCE OF A SURVEY STAKE BY ANYONE IS A VIOLATION OF SECTION 236.32 OF WISCONSIN STATUTES. UTILITY EASEMENTS AS HEREIN SET FORTH ARE FOR THE USE OF PUBLIC BODIES AND PRIVATE PUBLIC UTILITIES HAVING THE RIGHT TO SERVE THE AREA.



NOTES:

FRONT YARD BUILDING SETBACKS ARE 25 FEET THROUGHOUT THE PLAT OF FOREST VIEW ESTATES.

ALL LINEAR MEASUREMENTS HAVE BEEN MADE TO THE NEAREST ONE HUNDREDTH OF A FOOT.

ALL ANGULAR MEASUREMENTS HAVE BEEN MADE TO THE NEAREST 20 SECONDS AND COMPUTED TO THE NEAREST HALF SECOND.

STORM SEWER EASEMENTS ARE TO THE TOWN OF GRAND CHUTE.

DRAINAGE EASEMENTS ARE TO OUTAGAMIE COUNTY AND THE TOWN OF GRAND CHUTE.

IF AND WHEN A HOMEOWNERS ASSOCIATION IS ESTABLISHED, ALL LOT OWNERS MUST BELONG TO THE HOMEOWNERS ASSOCIATION.

OUTLOTS 1, 2, 3, AND 4 WILL BE OWNED AND MAINTAINED BY THE HOMEOWNERS ASSOCIATION, IF ESTABLISHED, OR THE TOWN OF GRAND CHUTE.

THE RECORDED DECLARATION OF RESTRICTIVE COVENANTS FOR FOREST VIEW ESTATES SHALL CONTAIN PROVISIONS FOR THE COLLECTION OF REAL ESTATE TAXES, SPECIAL ASSESSMENTS AND MAINTENANCE COSTS RELATED TO THE OUTLOTS FROM THE LOT OWNERS IF THE ASSOCIATION FAILS TO MAKE PAYMENT OF SAME.

THE OWNER/SUBDIVIDER HAS NO NOTICE OR KNOWLEDGE OF ANY ENVIRONMENTAL PROBLEM (THE EXISTENCE OF HAZARDOUS OR TOXIC SUBSTANCES) OF ANY SORT ON THE PROPERTY BEING TRANSFERRED. THE OWNER/SUBDIVIDER UNDERSTANDS THAT IT WILL PAY FOR ANY COSTS TO REMEDY ANY ENVIRONMENTAL PROBLEMS ENCOUNTERED DURING CONSTRUCTION OF ANY OF THE PUBLIC IMPROVEMENTS REQUIRED BY THE TOWN ON THE PLAT OR IN THE DEVELOPER'S AGREEMENT. THE OWNER/SUBDIVIDER UNDERSTANDS THAT THEY SHALL BE INDIVIDUALLY RESPONSIBLE FOR ANY ENVIRONMENTAL PROBLEM FOUND ON THE LAND, TRANSFERRED TO THE TOWN ON THE PLAT DURING THE CONSTRUCTION OF ROADS OR OTHER DEDICATIONS AND AGREES TO HOLD THE TOWN HARMLESS UNTIL CONSTRUCTION, INSTALLATION OR GRADING IS COMPLETE.

LOT LINE GRADES ESTABLISHED BY THE DRAINAGE PLAN FOR FOREST VIEW ESTATES ARE MANDATORY. IT IS THE RESPONSIBILITY OF THE LOT OWNER TO COMPLY WITH THESE ESTABLISHED ELEVATIONS.

BUILDING PERMITS AND OCCUPANCY PERMITS MAY BE WITHHELD FOR NON-COMPLIANCE WITH THE PLAT OR TOWN ORDINANCES RELATING TO DRAINAGE AND STORM WATER MANAGEMENT.

IN THE EVENT THAT, THE SURFACE DRAINAGE FACILITIES REQUIRED BY THE PLAT WHICH ARE APPLICABLE TO THE LOT FOR WHICH A BUILDING PERMIT HAS BEEN APPLIED, HAVE NOT BEEN COMPLIED WITH, THE BUILDING INSPECTOR MAY WITHHOLD BUILDING PERMITS REQUIRED BY THE BUILDING CODE.

IN THE EVENT THAT, AFTER CONSTRUCTION THERE IS A FAILURE TO ESTABLISH SURFACE GRADES IN ACCORDANCE WITH THE SUBDIVISION SURFACE WATER PLAN, THE BUILDING INSPECTOR MAY WITHHOLD THE OCCUPANCY PERMIT REQUIRED BY THE BUILDING CODE.

MAINTENANCE OF ALL DRAINAGE WAYS AND ASSOCIATED STRUCTURES WITHIN THE PLAT OR SERVING THE PLAT IS THE SOLE RESPONSIBILITY OF THE OWNER/SUBDIVIDER UNTIL ACCEPTANCE BY OR DEDICATION TO THE TOWN OF GRAND CHUTE.

WHERE THERE IS A STORM INLET TO ADEQUATELY DRAIN THE REAR PORTION OF LOTS WITHIN BLOCKS OF THE PLAT, THE RESPECTIVE LOT OWNERS SHALL BE RESPONSIBLE FOR MAINTAINING A CLEAR GRATE ON ANY STORM DRAINAGE INLETS ON THEIR LOT.

THE TOWN OF GRAND CHUTE RETAINS THE RIGHT TO SPECIAL ASSESS THE COST OF CARE AND MAINTENANCE OF ALL DRAINAGE WAYS AND ASSOCIATED STORM WATER FACILITIES WITHIN THE PLAT. THE PAYMENTS OF SAID CARE AND MAINTENANCE COSTS SHALL BE ASSESSED EQUALLY TO ALL PLATTED LOTS WITHIN THE FOREST VIEW ESTATES SUBDIVISION.

A DRAINAGE PLAN HAS BEEN FILED WITH THE TOWN OF GRAND CHUTE WHICH STATES THE REQUIRED LEVELS OF MAINTENANCE FOR ALL THE IDENTIFIED STORM WATER MANAGEMENT SYSTEMS/FACILITIES.

NO OBSTRUCTION MAY BE CONSTRUCTED, PLANTED OR MAINTAINED WITHIN ANY DRAINAGE EASEMENT SO THAT SUCH OBSTRUCTION WOULD INTERFERE WITH THE FLOW OF WATER AND/OR DIMINISHES THE NATURAL AESTHETIC QUALITY OF THE DRAINAGE WAY.

ACCESS RESTRICTION CLAUSE

AS OWNERS, WE HEREBY RESTRICT LOTS 1, 13, 14, 15, 16, 17, 18, AND OUTLOT-1 IN THAT NO OWNER, POSSESSOR, USER, NOR LICENSEE, NOR OTHER PERSON SHALL HAVE ANY RIGHT OF DIRECT VEHICULAR INGRESS OR EGRESS WITH NORTH LYNNDALE DRIVE (C.T.H. "A") AS SHOWN ON THE PLAT; IT BEING EXPRESSLY INTENDED THAT THIS RESTRICTION SHALL CONSTITUTE A RESTRICTION FOR THE BENEFIT OF THE PUBLIC ACCORDING TO SECTION 236.293, WISCONSIN STATUTES, AND SHALL BE ENFORCEABLE BY THE TOWN OF GRAND CHUTE.

WETLANDS WERE DELINEATED ON JUNE 11, 2014.

WETLAND PROTECTIVE AREA:

PURPOSE: IT IS THE PURPOSE OF THIS WETLAND PROTECTIVE AREA TO PRESERVE, PROTECT, MAINTAIN, AND ENHANCE THE NATURAL HABITAT, WETLAND PROTECTION, CONSERVATION, AND OPEN SPACE VALUES FOR THE BENEFIT OF FUTURE GENERATIONS AND PREVENT ANY USE OF THE PROPERTY THAT MAY SIGNIFICANTLY IMPAIR OR INTERFERE WITH THESE PURPOSES. THIS WETLAND PROTECTIVE AREA CONTAINS THE USE OF THE PROPERTY TO ACTIVITIES CONSISTENT WITH CONSERVATION PURPOSES AND IN CONFORMANCE WITH TOWN OF GRAND CHUTE CODES AND ORDINANCES. OWNERS OF OUTLOTS 5, 6, 7, 8, 9, 10, 11, 12, 13, 14, 15, 16, 17, 18, 19, AND 20 ACCEPT SUCH CONSERVATION AND DEVELOPMENT RESTRICTIONS TO CONSERVE THESE VALUES FOR PRESENT AND FUTURE GENERATIONS.

RESTRICTED AND PROHIBITED USES: THE FOLLOWING COVENANTS RUN WITH, AND BIND IN PERPETUITY, ALL PROPERTY WITHIN THE WETLAND PROTECTIVE AREA:

- THE PROPERTY SHALL BE LEFT IN A NATURAL STATE;
- NO STRUCTURES OR BUILDINGS WILL BE ALLOWED, EXCEPT FOR ROAD AND UTILITY CROSSINGS;
- NO ALTERATION OR CHANGE OF THE TOPOGRAPHY BY MEANS OF FILLING, GRADING OR OTHER ACTIVITIES WILL BE ALLOWED, EXCEPT FOR THAT WHICH IS PERMITTED BY THE WISCONSIN DEPARTMENT OF NATURAL RESOURCES IN ORDER TO ENHANCE WILDLIFE HABITAT;
- THE DUMPING OR OTHER DISPOSAL OF REFUSE, DEBRIS OR NON-COMPOSTABLE WASTE WITHIN THE WETLAND PROTECTIVE AREA IS STRICTLY PROHIBITED.

COSTS AND LIABILITIES: OWNERS OF OUTLOTS 5 - 20 ASSUME ALL RESPONSIBILITIES AND SHALL BEAR ALL COSTS AND LIABILITIES OF ANY KIND RELATED TO THE OWNERSHIP, OPERATION, UPEEK AND MAINTENANCE OF ALL PROPERTY WITHIN THE WETLAND PROTECTIVE AREA.

ANY LAND BELOW THE ORDINARY HIGH WATER MARK OF A LAKE OR A NAVIGABLE STREAM IS SUBJECT TO THE PUBLIC TRUST IN NAVIGABLE WATERS THAT IS ESTABLISHED UNDER ARTICLE IX, SECTION 1, OF THE STATE CONSTITUTION.

2053450
Recorded
September 03, 2015 2:39 PM
OUTAGAMIE COUNTY
SARAH F. VAN CAMP
REGISTER OF DEEDS
Fee Amount: \$50.00
Total Pages: 4
CABINET M PAGES 21-24

There are no objections to this plat with respect to Secs. 236.15, 236.16, 236.20 and 236.21(1) and (2), Wis Stats. as provided by s. 236.12, Wis. Stats.

Certified August 27th, 2015

Therese M. Dorn
Department of Administration

Christopher R. Cleary
05-18-2015

SOUTH WEST CORNER SECTION 9 T21N, R17E FOUND ALUMINUM COUNTY MONUMENT S 89°02'41" E 2861.92'

SOUTH 1/4 CORNER SECTION 9 T21N, R17E FOUND P.K. NAIL S 89°26'55" W 79.98'

Martenson & Eisele, Inc.
1377 Midway Road
Menasha, WI 54952
www.martenson-eisele.com
info@martenson-eisele.com
920.731.0381 1.800.226.0391

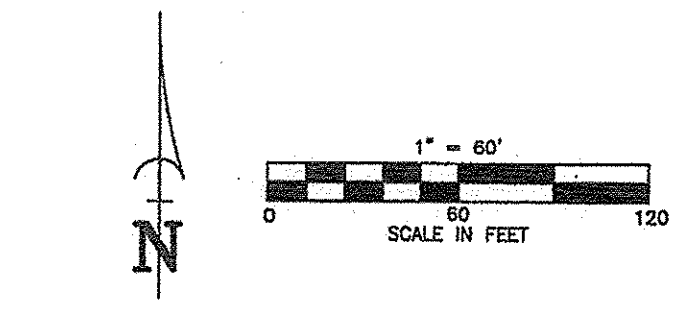
Planning
Surveying
Engineering
Architecture

FOREST VIEW ESTATES

ALL OF LOT 1 OF CERTIFIED SURVEY MAP NO. 6945, LOCATED IN PART OF THE NORTHEAST 1/4 OF THE SOUTHWEST 1/4 OF SECTION 8; ALL OF LOT 1 OF THE MEADOWS AT WARNER CREEK, ALL OF LOTS 1 AND 3 CERTIFIED SURVEY MAP NO. 6844, LOCATED IN PART OF THE NORTHEAST 1/4 AND SOUTHWEST 1/4 OF THE SOUTHWEST 1/4 OF SECTION 9; PART OF THE NORTHWEST 1/4 AND SOUTHWEST 1/4 OF THE SOUTHWEST 1/4 OF SECTION 9; ALL IN TOWNSHIP 21 NORTH, RANGE 17 EAST, TOWN OF GRAND CHUTE, OUTAGAMIE COUNTY, WISCONSIN

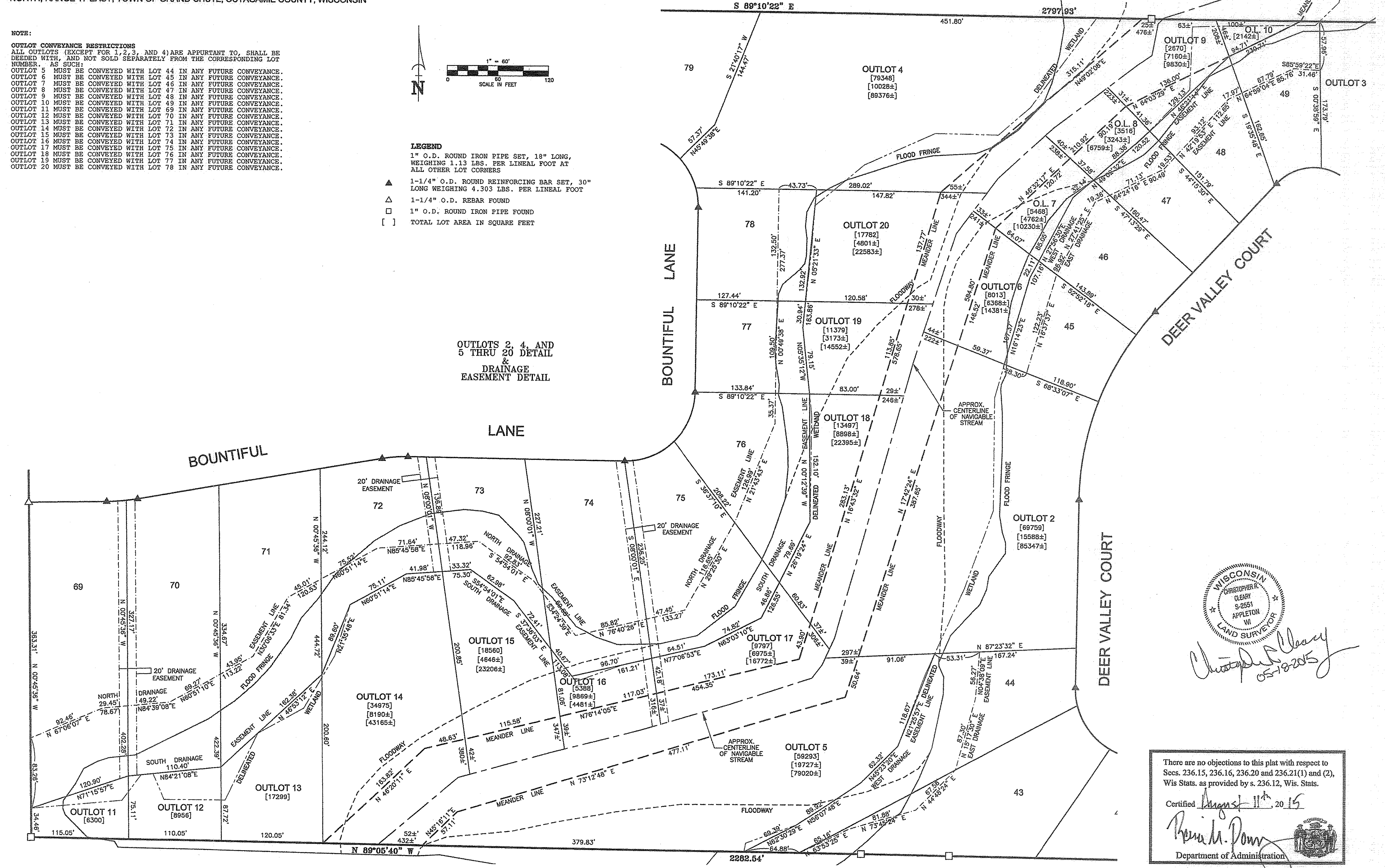
NOTE:

OUTLOT CONVEYANCE RESTRICTIONS
 ALL OUTLOTS (EXCEPT FOR 1, 2, 3, AND 4) ARE APPURTANT TO, SHALL BE DEEDED WITH, AND NOT SOLD SEPARATELY FROM THE CORRESPONDING LOT NUMBER, AS SUCH:
 OUTLOT 5 MUST BE CONVEYED WITH LOT 44 IN ANY FUTURE CONVEYANCE.
 OUTLOT 6 MUST BE CONVEYED WITH LOT 45 IN ANY FUTURE CONVEYANCE.
 OUTLOT 7 MUST BE CONVEYED WITH LOT 46 IN ANY FUTURE CONVEYANCE.
 OUTLOT 8 MUST BE CONVEYED WITH LOT 47 IN ANY FUTURE CONVEYANCE.
 OUTLOT 9 MUST BE CONVEYED WITH LOT 48 IN ANY FUTURE CONVEYANCE.
 OUTLOT 10 MUST BE CONVEYED WITH LOT 49 IN ANY FUTURE CONVEYANCE.
 OUTLOT 11 MUST BE CONVEYED WITH LOT 69 IN ANY FUTURE CONVEYANCE.
 OUTLOT 12 MUST BE CONVEYED WITH LOT 70 IN ANY FUTURE CONVEYANCE.
 OUTLOT 13 MUST BE CONVEYED WITH LOT 71 IN ANY FUTURE CONVEYANCE.
 OUTLOT 14 MUST BE CONVEYED WITH LOT 72 IN ANY FUTURE CONVEYANCE.
 OUTLOT 15 MUST BE CONVEYED WITH LOT 73 IN ANY FUTURE CONVEYANCE.
 OUTLOT 16 MUST BE CONVEYED WITH LOT 74 IN ANY FUTURE CONVEYANCE.
 OUTLOT 17 MUST BE CONVEYED WITH LOT 75 IN ANY FUTURE CONVEYANCE.
 OUTLOT 18 MUST BE CONVEYED WITH LOT 76 IN ANY FUTURE CONVEYANCE.
 OUTLOT 19 MUST BE CONVEYED WITH LOT 77 IN ANY FUTURE CONVEYANCE.
 OUTLOT 20 MUST BE CONVEYED WITH LOT 78 IN ANY FUTURE CONVEYANCE.



- LEGEND**
- 1" O.D. ROUND IRON PIPE SET, 18" LONG, WEIGHING 1.13 LBS. PER LINEAL FOOT AT ALL OTHER LOT CORNERS
 - ▲ 1-1/4" O.D. ROUND REINFORCING BAR SET, 30" LONG WEIGHING 4.303 LBS. PER LINEAL FOOT
 - △ 1-1/4" O.D. REBAR FOUND
 - 1" O.D. ROUND IRON PIPE FOUND
 - [] TOTAL LOT AREA IN SQUARE FEET

OUTLOTS 2, 4, AND 5 THRU 20 DETAIL
 DRAINAGE EASEMENT DETAIL



WISCONSIN
 CHRISTOPHER R. CLEARY
 S-2551
 APPLETON
 WI
 LAND SURVEYOR
 Christopher Cleary
 05-19-2015

There are no objections to this plat with respect to Secs. 236.15, 236.16, 236.20 and 236.21(1) and (2), Wis Stats. as provided by s. 236.12, Wis. Stats.
 Certified August 11th 2015
 Richard J. Pomy
 Department of Administration

FOREST VIEW ESTATES

ALL OF LOT 1 OF CERTIFIED SURVEY MAP NO. 6945, LOCATED IN PART OF THE NORTHEAST 1/4 OF THE SOUTHEAST 1/4 OF SECTION 8; ALL OF LOT 1 OF THE MEADOWS AT WARNER CREEK, ALL OF LOTS 1 AND 3 CERTIFIED SURVEY MAP NO. 6844, LOCATED IN PART OF THE NORTHEAST 1/4 AND SOUTHEAST 1/4 OF THE SOUTHWEST 1/4 OF SECTION 9; PART OF THE NORTHWEST 1/4 AND SOUTHWEST 1/4 OF THE SOUTHWEST 1/4 OF SECTION 9; ALL IN TOWNSHIP 21 NORTH, RANGE 17 EAST, TOWN OF GRAND CHUTE, OUTAGAMIE COUNTY, WISCONSIN

OUTAGAMIE COUNTY

1. PROHIBITED USES AND STRUCTURES
THE FOLLOWING USES AND STRUCTURES ARE PROHIBITED WITHIN ALL DRAINAGE EASEMENTS: FILLING, GRADING EXCAVATING, EXCEPT FOR THE CONSTRUCTION AND MAINTENANCE OF DRAINAGE WAYS OR DRAINAGE FACILITIES; THE CULTIVATION OF CROPS, FRUITS OR VEGETABLES; THE DUMPING OF ASHES, WASTE, COMPOST OR ANY OTHER GARDEN, LAWN OR DOMESTIC WASTE; THE STORAGE OF VEHICLES, EQUIPMENT, MATERIALS OR PERSONAL PROPERTY OF ANY KIND; CONSTRUCTION, ERECTING OR MOVING ANY BUILDING OR STRUCTURE, INCLUDING FENCES, WITHIN THE DRAINAGE EASEMENT.

2. MAINTENANCE OF ALL DRAINAGE IMPROVEMENTS
MAINTENANCE OF ALL DRAINAGE WAYS AND ASSOCIATED DRAINAGE IMPROVEMENTS SHALL BE THE RESPONSIBILITY OF THE PROPERTY OWNERS OF THE SUBDIVISION PLAT. OUTAGAMIE COUNTY AND THE TOWN OF GRAND CHUTE RETAIN THE RIGHT TO PERFORM MAINTENANCE OR REPAIRS. THE COST OF THE MAINTENANCE AND REPAIRS SHALL BE EQUALLY ASSESSED AMONG THE PROPERTY OWNERS OF THE SUBDIVISION. THE PURCHASE OF ANY LOT CONSTITUTES A WAIVER OF OBJECTION AND AGREEMENT TO PAY ANY SUCH ASSESSMENT, WHICH SHALL BE PLACED ON THE TAX BILL AS A SPECIAL ASSESSMENT.

3. MAINTENANCE EASEMENT
OUTAGAMIE COUNTY AND THE TOWN OF GRAND CHUTE SHALL HAVE AN UNQUALIFIED RIGHT TO ENTER UPON ANY DRAINAGE EASEMENT FOR INSPECTION AND, IF NECESSARY, MAINTENANCE AND REPAIR OF THE DRAINAGE WAYS AND ASSOCIATED IMPROVEMENTS.

HOME SITE EROSION CONTROL
ALL HOME CONSTRUCTION AND SITE GRADING ON LOTS IN FOREST VIEW ESTATES SHALL COMPLY WITH THE DESIGN CRITERIA, STANDARDS AND SPECIFICATIONS FOR EROSION CONTROL PER "WISCONSIN CONSTRUCTION SITE BEST MANAGEMENT PRACTICE HANDBOOK" ON FILE AT THE DEPARTMENT OF NATURAL RESOURCES, PERTAINING TO CONSTRUCTION SITE EROSION CONTROL. THE BUILDING INSPECTOR OF THE TOWN OF GRAND CHUTE SHALL APPROVE ALL EROSION CONTROL PLANS PRIOR TO ISSUANCE OF A BUILDING PERMIT AND SHALL REGULATE AND ENFORCE COMPLIANCE WITH THE APPROVED EROSION CONTROL PLAN.

SURVEYORS CERTIFICATION

I, CHRISTOPHER R. CLEARY, PROFESSIONAL LAND SURVEYOR, HEREBY CERTIFY:

THAT I HAVE SURVEYED, DIVIDED, AND MAPPED FOREST VIEW ESTATES, AT THE DIRECTION OF ART ACQUISITIONS LLC, ALL OF LOT 1 OF CERTIFIED SURVEY MAP NO. 6945, LOCATED IN PART OF THE NORTHEAST 1/4 OF THE SOUTHEAST 1/4 OF SECTION 8; ALL OF LOTS 1 AND 3 CERTIFIED SURVEY MAP NO. 6844, LOCATED IN PART OF THE NORTHEAST 1/4 AND SOUTHEAST 1/4 OF THE SOUTHWEST 1/4 OF SECTION 9; PART OF THE NORTHWEST 1/4 AND SOUTHWEST 1/4 OF THE SOUTHWEST 1/4 OF SECTION 9; ALL IN TOWNSHIP 21 NORTH, RANGE 17 EAST, TOWN OF GRAND CHUTE, OUTAGAMIE COUNTY, WISCONSIN, MORE FULLY DESCRIBED AS FOLLOWS:

COMMENCING AT THE SOUTH 1/4 CORNER OF SAID SECTION 9; THENCE NORTH 00 DEGREES 33 MINUTES 05 SECONDS WEST, ALONG THE EAST LINE OF THE SOUTHWEST 1/4 OF SAID SECTION 9, A DISTANCE OF 447.81 FEET; THENCE SOUTH 88 DEGREES 26 MINUTES 55 SECONDS WEST, 79.98 FEET TO THE POINT OF BEGINNING; THENCE SOUTH 44 DEGREES 51 MINUTES 31 SECONDS WEST, ALONG THE NORTH RIGHT-OF-WAY LINE OF GRAND CHUTE BOULEVARD, A DISTANCE OF 42.10 FEET; THENCE NORTH 89 DEGREES 43 MINUTES 28 SECONDS WEST, CONTINUING ALONG SAID NORTH RIGHT-OF-WAY LINE, A DISTANCE OF 41.89 FEET; THENCE 131.57 FEET ALONG A CURVE TO THE LEFT, CONTINUING ALONG SAID NORTH RIGHT-OF-WAY LINE, SAID CURVE HAVING A RADIUS OF 380.00 FEET AND A CHORD THAT BEARS SOUTH, 89 DEGREES 21 MINUTES 24 SECONDS WEST, 130.91 FEET; THENCE NORTH 30 DEGREES 31 MINUTES 10 SECONDS WEST, ALONG THE WEST LINE OF LOT 1 OF THE MEADOWS AT WARNER CREEK, A DISTANCE OF 91.68 FEET; THENCE NORTH 20 DEGREES 17 MINUTES 51 SECONDS WEST, CONTINUING ALONG THE WEST LINE OF LOT 1 OF THE MEADOWS AT WARNER CREEK, A DISTANCE OF 124.93 FEET; THENCE NORTH 09 DEGREES 20 MINUTES 57 SECONDS WEST, CONTINUING ALONG THE WEST LINE OF LOT 1 OF THE MEADOWS AT WARNER CREEK, A DISTANCE OF 81.65 FEET; THENCE NORTH 89 DEGREES 05 MINUTES 40 SECONDS WEST, ALONG THE NORTH LINES OF THE MEADOWS AT WARNER CREEK, THE CROSSINGS AT WARNER CREEK AND THE ESTATES AT WARNER CREEK, A DISTANCE OF 2282.54 FEET; THENCE NORTH 00 DEGREES 45 MINUTES 36 SECONDS WEST, ALONG THE WEST LINE OF THE SOUTHWEST 1/4 OF SAID SECTION 9, A DISTANCE OF 663.73 FEET; THENCE SOUTH 87 DEGREES 23 MINUTES 37 SECONDS WEST, ALONG THE SOUTH LINE OF LOT 1 OF CERTIFIED SURVEY MAP NO. 6945, A DISTANCE OF 185.10 FEET; THENCE NORTH 00 DEGREES 45 MINUTES 16 SECONDS WEST, ALONG THE WEST LINE OF SAID LOT 1, A DISTANCE OF 343.09 FEET; THENCE SOUTH 89 DEGREES 10 MINUTES 22 SECONDS EAST, ALONG NORTH LINE OF SAID LOT 1 AND THE SOUTH LINE OF NATURE ACRES, A DISTANCE OF 2797.93 FEET; THENCE SOUTH 00 DEGREES 18 MINUTES 30 SECONDS WEST, ALONG THE WEST RIGHT-OF-WAY LINE OF LYNNDALE DRIVE (C.T.H. "A"), A DISTANCE OF 170.02 FEET; THENCE NORTH 89 DEGREES 10 MINUTES 29 SECONDS WEST, ALONG THE NORTH LINE OF LOT 2 OF SAID CERTIFIED SURVEY MAP NO. 6844, A DISTANCE OF 602.62 FEET; THENCE SOUTH 00 DEGREES 33 MINUTES 05 SECONDS EAST, ALONG THE WEST LINE OF LOT 2 OF SAID CERTIFIED SURVEY MAP NO. 6844, A DISTANCE OF 172.05 FEET; THENCE SOUTH 89 DEGREES 10 MINUTES 29 SECONDS EAST, ALONG THE SOUTH LINE OF LOT 2 OF SAID CERTIFIED SURVEY MAP NO. 6844, A DISTANCE OF 580.13 FEET; THENCE SOUTH 00 DEGREES 32 MINUTES 09 SECONDS EAST, ALONG THE WEST RIGHT-OF-WAY LINE OF LYNNDALE DRIVE (C.T.H. "A"), A DISTANCE OF 524.95 FEET; THENCE SOUTH 00 DEGREES 35 MINUTES 00 SECONDS EAST, ALONG THE WEST RIGHT-OF-WAY LINE OF LYNNDALE DRIVE (C.T.H. "A"), A DISTANCE OF 352.45 FEET TO THE POINT OF BEGINNING, CONTAINING 2,613,303 SQUARE FEET [59.993 ACRES]. SUBJECT TO ALL EASEMENTS AND RESTRICTIONS OF RECORD.

THAT SUCH PLAT IS A CORRECT REPRESENTATION OF ALL EXTERIOR BOUNDARIES OF THE LAND SURVEYED AND THE SUBDIVISION THEREOF MADE.

THAT I HAVE MADE SUCH LAND DIVISION AND PLAT BY THE DIRECTION OF THE OWNERS SHOWN HERE ON.

THAT I HAVE FULLY COMPLIED WITH THE PROVISIONS OF CHAPTER 236 OF THE WISCONSIN STATUTES, AND THE SUBDIVISION REGULATIONS OF THE TOWN OF GRAND CHUTE AND OUTAGAMIE COUNTY IN SURVEYING, DIVIDING AND MAPPING THE SAME.

GIVEN UNDER MY HAND THIS 18th DAY OF MAY, 2015.

Christopher R. Cleary
CHRISTOPHER R. CLEARY, P.L.S. 8-2551



CORPORATE CERTIFICATE OF DEDICATION

ART ACQUISITIONS LLC, A CORPORATION DULY ESTABLISHED AND EXISTING UNDER AND BY VIRTUE OF THE LAWS OF THE STATE OF WISCONSIN, AS OWNER, DOES HEREBY CERTIFY THAT SAID CORPORATION CAUSED THE LAND DESCRIBED ON THIS PLAT TO BE SURVEYED, DIVIDED, MAPPED AND DEDICATED AS REPRESENTED ON THIS PLAT.

ART ACQUISITIONS LLC, DOES FURTHER CERTIFY THAT THIS PLAT IS REQUIRED BY S. 236.10 OR S. 236.12 TO BE SUBMITTED TO THE FOLLOWING FOR APPROVAL OR OBJECTION:

TOWN OF GRAND CHUTE
OUTAGAMIE COUNTY
CITY OF APPLETON
DEPARTMENT OF ADMINISTRATION

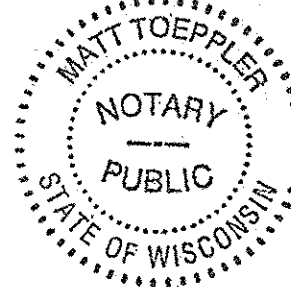
WITNESS THE HAND AND SEAL OF SAID CORPORATION THIS 20th DAY OF August, 2015.

Trevor J. Thompson
TREVOR J. THOMPSON, ART ACQUISITIONS LLC MANAGING DIRECTOR

STATE OF WISCONSIN)
OUTAGAMIE COUNTY) SS

PERSONALLY CAME BEFORE ME THIS 20th DAY OF August, 2015, THE ABOVE OWNERS TO ME KNOWN TO BE THE PERSONS WHO EXECUTED THE FOREGOING INSTRUMENT AND ACKNOWLEDGE THE SAME.

Matthew J. Toepfer
MATTHEW J. TOEPFER, NOTARY PUBLIC, MY COMMISSION EXPIRES 8-28-18



UTILITY EASEMENT PROVISIONS

AN EASEMENT FOR ELECTRIC AND COMMUNICATIONS SERVICE IS HEREBY GRANTED BY ART ACQUISITIONS LLC, GRANTOR, TO

WISCONSIN ELECTRIC POWER COMPANY, A WISCONSIN CORPORATION DOING BUSINESS AS WE ENERGIES, GRANTEE, WISCONSIN BELL, INC. D/B/A AT&T WISCONSIN, A WISCONSIN CORPORATION, GRANTEE, AND TIME WARNER ENTERTAINMENT COMPANY, L.P., GRANTEE

THEIR RESPECTIVE SUCCESSORS AND ASSIGNS, TO CONSTRUCT, INSTALL, OPERATE, REPAIR, MAINTAIN AND REPLACE FROM TIME TO TIME, FACILITIES USED IN CONNECTION WITH OVERHEAD AND UNDERGROUND TRANSMISSION AND DISTRIBUTION OF ELECTRICITY AND ELECTRIC ENERGY FOR SUCH PURPOSES AS THE SAME IS NOW OR MAY HEREAFTER BE USED AND FOR SOUNDS AND SIGNALS, ALL IN, OVER, UNDER, ACROSS, ALONG AND UPON THE PROPERTY SHOWN WITHIN THOSE AREAS ON THE PLAT DESIGNATED AS "UTILITY EASEMENT AREAS" AND THE PROPERTY DESIGNATED ON THE PLAT FOR STREETS AND ALLEYS, WHETHER PUBLIC OR PRIVATE, TOGETHER WITH THE RIGHT TO INSTALL SERVICE CONNECTIONS UPON, ACROSS, WITHIN AND BENEATH THE SURFACE OF EACH LOT TO SERVE IMPROVEMENTS THEREON, OR ON ADJACENT LOTS; ALSO THE RIGHT TO TRIM OR CUT DOWN TREES, BRUSH AND ROOTS AS MAY BE REASONABLY REQUIRED INCIDENT TO THE RIGHTS HEREIN GIVEN, AND THE RIGHT TO ENTER UPON THE SUBDIVIDED PROPERTY FOR ALL SUCH PURPOSES. THE GRANTEE AGREES TO RESTORE OR CAUSE TO HAVE RESTORED THE PROPERTY, AS NEARLY AS IS REASONABLY POSSIBLE, TO THE CONDITION EXISTING PRIOR TO SUCH ENTRY BY THE GRANTEE OR THEIR AGENTS. THIS RESTORATION, HOWEVER, DOES NOT APPLY TO THE INITIAL INSTALLATION OF SAID UNDERGROUND AND/OR ABOVE GROUND ELECTRIC FACILITIES OR COMMUNICATION FACILITIES OR TO ANY TREES, BRUSH OR ROOTS WHICH MAY BE REMOVED AT ANY TIME PURSUANT TO THE RIGHTS HEREIN GRANTED. BUILDINGS SHALL NOT BE PLACED OVER GRANTEE'S FACILITIES OR IN, UPON OR OVER THE PROPERTY WITHIN THE LINES MARKED "UTILITY EASEMENT AREAS" WITHOUT THE PRIOR WRITTEN CONSENT OF GRANTEE. AFTER INSTALLATION OF ANY SUCH FACILITIES, THE GRADE OF THE SUBDIVIDED PROPERTY SHALL NOT BE ALTERED BY MORE THAN FOUR INCHES WITHOUT THE WRITTEN CONSENT OF GRANTEE. THE GRANT OF EASEMENT SHALL BE BINDING UPON AND INURE TO THE BENEFIT OF THE HEIRS, SUCCESSORS AND ASSIGNS OF ALL PARTIES HERETO.

Trevor J. Thompson
TREVOR J. THOMPSON, ART ACQUISITIONS LLC MANAGING DIRECTOR

TOWN TREASURER'S CERTIFICATE

I, *Julie M. Wahl*, BEING THE DULY QUALIFIED AND ACTING TREASURER OF THE TOWN OF GRAND CHUTE, DO HEREBY CERTIFY THAT IN ACCORDANCE WITH THE RECORDS IN MY OFFICE, THERE ARE NO UNPAID TAXES OR UNPAID SPECIAL ASSESSMENTS AS OF 8/27/2015 ON ANY OF THE LAND INCLUDED IN THE PLAT OF FOREST VIEW ESTATES.

Julie M. Wahl
TOWN TREASURER DATE 8/27/2015

TOWN BOARD RESOLUTION

RESOLVED, THAT THE PLAT OF FOREST VIEW ESTATES, IN THE TOWN OF GRAND CHUTE, IS HEREBY APPROVED BY THE TOWN BOARD OF THE TOWN OF GRAND CHUTE.

Joseph A. Howerton
TOWN CHAIRMAN DATE 8-27-15

I HEREBY CERTIFY THAT THE FOREGOING IS A COPY OF A RESOLUTION ADOPTED BY THE TOWN BOARD OF THE TOWN OF GRAND CHUTE.

Joan A. Weinchock
TOWN CLERK DATE 8/27/15

COMMON COUNCIL RESOLUTION (EXTRATERRITORIAL JURISDICTION)

RESOLVED, THAT THE PLAT OF FOREST VIEW ESTATES, IN THE TOWN OF GRAND CHUTE, IS HEREBY APPROVED BY THE COMMON COUNCIL OF THE CITY OF APPLETON.

Matthew J. Toepfer
MAYOR DATE 8-24-2015

I HEREBY CERTIFY THAT THE FOREGOING IS A COPY OF A RESOLUTION ADOPTED BY THE COMMON COUNCIL OF THE CITY OF APPLETON.

Joan A. Weinchock
CITY CLERK DATE 8-24-2015

COUNTY TREASURER'S CERTIFICATE

STATE OF WISCONSIN)
OUTAGAMIE COUNTY) SS

I, *Don Mumford*, BEING THE DULY ELECTED, QUALIFIED AND ACTING TREASURER OF THE COUNTY OF OUTAGAMIE, DO HEREBY CERTIFY THAT THE RECORDS IN MY OFFICE SHOW NO UNREDEEMED TAX SALES AND NO UNPAID TAXES OR UNPAID SPECIAL ASSESSMENTS AS OF 8/27/2015 AFFECTING THE LANDS INCLUDED IN THE PLAT OF FOREST VIEW ESTATES.

Don Mumford
COUNTY TREASURER DATE 9/1/2015

OUTAGAMIE COUNTY ZONING COMMITTEE

I, HEREBY CERTIFY THAT THE PLAT OF FOREST VIEW ESTATES, IN THE TOWN OF GRAND CHUTE, WAS APPROVED AND ACCEPTED BY THE OUTAGAMIE COUNTY ZONING COMMITTEE ON THIS 15th DAY OF September, 2015.

Tim Roach
TIM ROACH, ZONING ADMINISTRATOR

SPECIAL TOWN OF GRAND CHUTE RESTRICTION

THIS SUBDIVISION FINAL PLAT IS SUBJECT TO ALL OF THE REQUIREMENTS OF SECTION 6.16(B) MUNICIPAL CODE OF THE TOWN OF GRAND CHUTE. THE SUBDIVIDER, FOR HIMSELF/ITSELF, AND HIS/ITS ASSIGNS, SHALL BE RESPONSIBLE FOR ALL MUNICIPAL IMPROVEMENTS, INCLUDING GRAVELED AND BLACKTOPPED STREETS, GRAVELED ROAD SHOULDERS, SEWER AND WATER, CURB AND GUTTER IF DETERMINED NECESSARY BY THE TOWN OF GRAND CHUTE BOARD OF SUPERVISORS, STORM SEWERS WHEN DETERMINED NECESSARY BY THE TOWN OF GRAND CHUTE BOARD OF SUPERVISORS, DEDICATED AND OPEN CUL-DE-SAC WATER DRAINAGE EASEMENTS AND STREET LIGHTING. PURSUANT TO SECTION 6.16(B) MUNICIPAL CODE OF THE TOWN OF GRAND CHUTE, THE TOWN OF GRAND CHUTE RESERVES THE RIGHT TO WITHHOLD BUILDING PERMITS FOR THIS SUBDIVISION IF THE ABOVE STATED MUNICIPAL IMPROVEMENTS HAVE NOT BEEN COMPLETED IN A TIMELY AND ORDERLY FASHION BY THE SUBDIVIDER/OWNER, ACCORDING TO THE TERM AND CONDITIONS OF 6.16(B). THAT, IN ADDITION, ALL SUBDIVIDERS AND PROPERTY OWNERS ARE PUT ON NOTICE THAT A THREE HUNDRED DOLLAR (\$300.00) HOORUP CONTRIBUTION CHARGE FOR SEWER SERVICES MAY BE PAYABLE BY EACH LOT WITHIN THE PLATTED SUBDIVISION TO THE TOWN OF GRAND CHUTE SANITARY DISTRICT FOR SEWER SERVICES. FURTHERMORE, WHERE DECORATIVE STREET LIGHTING IS REQUESTED BY THE OWNER/SUBDIVIDER, THE DIFFERENCE IN COST BETWEEN REGULAR STREET LIGHTING AND DECORATIVE STREET LIGHTING WILL BE ASSESSED ANNUALLY TO PROPERTY OWNERS WITHIN THE SUBDIVIDED AREA, ON AN ANNUAL COST BASIS AS INCURRED BY THE TOWN OF GRAND CHUTE, PLUS THE TOWN OF GRAND CHUTE'S ANNUAL INTEREST CHARGE; THE TOWN OF GRAND CHUTE SHALL BE RESPONSIBLE ONLY FOR BASE AND REGULAR STREET LIGHTING COSTS AT INTERSECTIONS AND CUL-DE-SACS, WITH ANY EXCESS LIGHTING COSTS AS REQUESTED BY THE SUBDIVIDER OR PROPERTY OWNERS BEING ASSESSED DIRECTLY TO THE ADJUTING PROPERTY OWNERS.

Trevor J. Thompson
TREVOR J. THOMPSON, ART ACQUISITIONS LLC MANAGING DIRECTOR

There are no objections to this plat with respect to s. 236.15, 236.16, 236.20 and 236.21 (1) and (2), Wis. Stats. as provided by s. 236.12, Wis. Stats.

Certified August 11th, 2015
Renee M. Dowey
Department of Administration